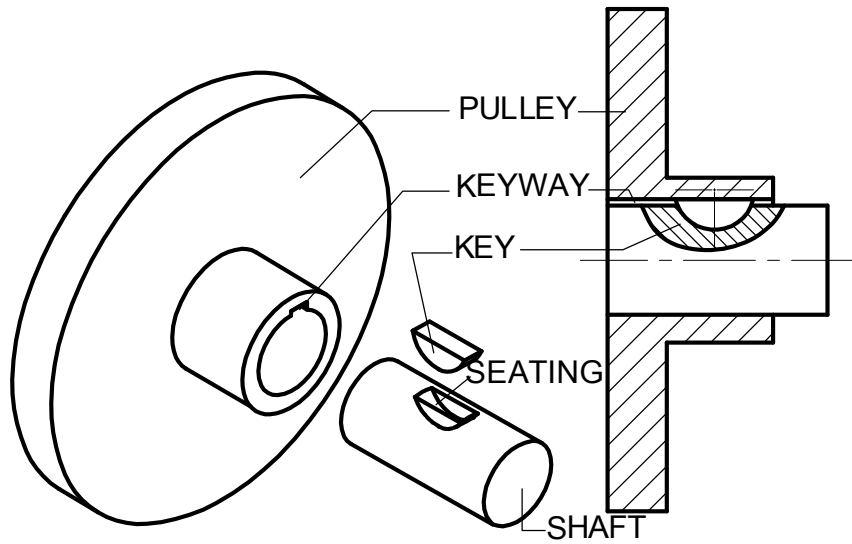
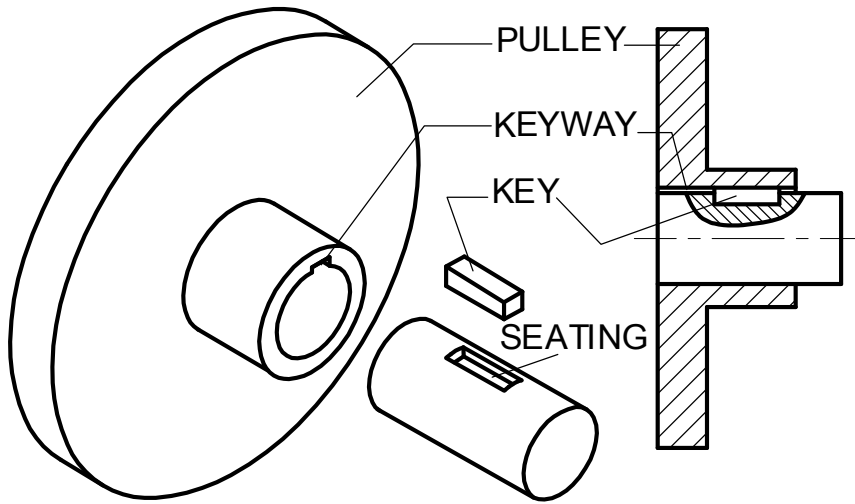
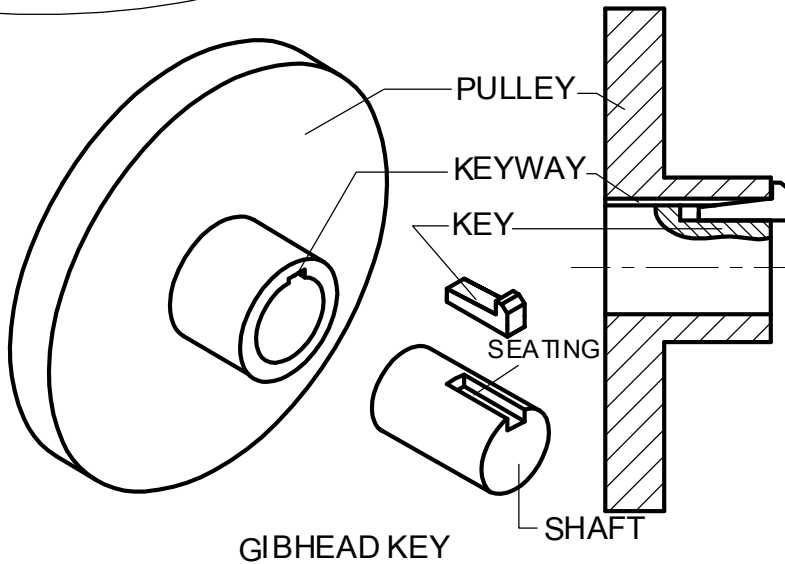


KEYS AND KEYWAYS



WOODRUFF KEY

Keys are not cross hatched when the cutting plane runs parallel parallel to the axis of the key. The same principle applies to shafts as well.



GIBHEAD KEY