



**education**

**Department:  
Education  
KwaZulu - Natal**

**GRADE 12**

# **MARKING MEMO**

**ENGINEERING GRAPHICS AND DESIGN P2  
MID-YEAR EXAMINATION 2011**

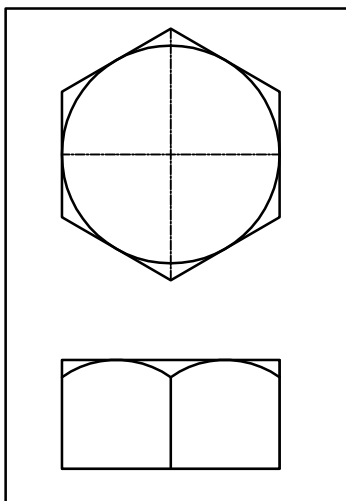
**QUESTION ONE**

		ANSWERS ANTWOORDE	
1	What is the drawing number?	35-8/011	1
2	Freehand, draw the M18 hex. nut[ Show 2 faces of the nut]	DRAW IN THE SPACE PROVIDED	4
3	Name part 4?	STUD	1
4	What CAD system is used for this drawing?	AUTOCAD 2011	1
5	How many components have internal thread?	2	1
6	What tool is used to cut the thread on part 4?	DIE / LATHE	1
7	Correctly draw, on part 1, the line that separates the sectioned area?	DRAW IN THE SPACE PROVIDED	2
8	How many surfaces have to be machined?	5	1
9	What type of machining must be done?	CIRCULAR	1
10	Insert the cutting plane.	INSERT ON PART 1	4
11	Determine the dimensions marked: L _____ $\varnothing 74$ _____ K _____ 34 _____ W _____ $\varnothing 5$ _____		3
12	Name the features marked: A _____ SHOULDER _____ B _____ FILLET _____ C _____ COUNTERBORE _____		3
13	What is the chamfer angle used on part 4?	45°	1
14	Draw the center-line on part 4?	DRAW ON PART 4	1
15	What does the abbreviation 'MCD' mean?	MACHINED	1
16	What is the height of the M18 hexagonal nut?	14 / 14.4 / 14.5	2
17	What is the DEPTH of the THREAD on part 4?	1.8 / 2	2

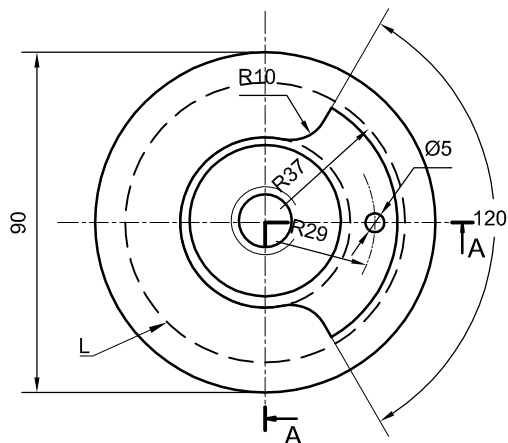
TOTAL TOTAAL 30

3

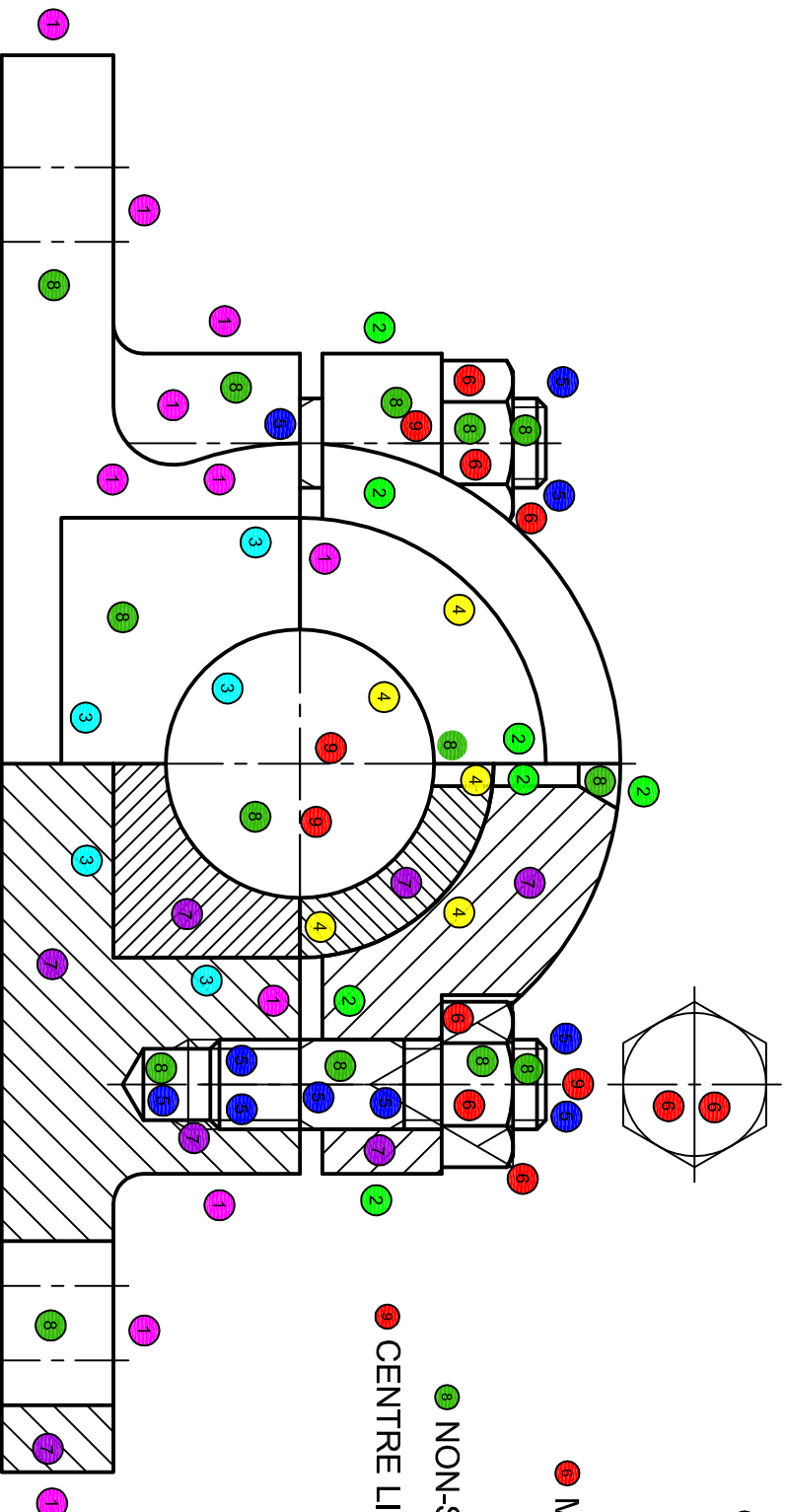
Freehand, draw the M18 hexagonal nut.  
[ Show 2 faces of the nut]



1







HALF-SECTIONAL FRONT VIEW

# PEDESTAL BEARING

SCALE 1:1

MARKING MEMO

● 1 PEDESTAL	1	13
● 2 CAP	2	7
● 3 BEARING HALF	3	5
● 4 BEARING HALF	4	5
● 5 STUD	5	10
● 6 M12 NUT & CONST	6	8
● 7 SECTIONING	7	7
● 8 NON-SECTIONED AREA	8	14
● 9 CENTRE LINES/TITLE/SCALE ASSEMBLY	9	13
TOTAL	10	8

TOTAL	90
-------	----