



education

Department:
Education
Kwazulu - Natal

INSTRUCTIONS

1. The paper consists of **TWO** questions.
2. Answer **ALL** the questions.
3. All drawings must be drawn to scale 1:1, unless otherwise stated.
4. The questions must be answered on the answer sheets provided.
5. All the answer sheets must be re-stapled in numerical sequence and handed in, irrespective of whether the question was attempted or not.
6. Careful time management is essential in order to complete all questions.
7. Print your name in the block provided on every answer sheet.
8. All answers must be drawn accurately and neatly.
9. Any details or dimensions not given must be assumed in good proportion.

GRADE 10

ENGINEERING GRAPHICS AND DESIGN PAPER 2

MARKS : 90

TIME : 1.5 HOURS

THIS PAPER CONSISTS OF 3 PAGES.

FOR OFFICIAL USE ONLY

		MODERATED MARK
1	40	
2	50	
TOTAL	90	

LEVEL	CHECKED BY

NAME :	
GRADE :	

Please turn over

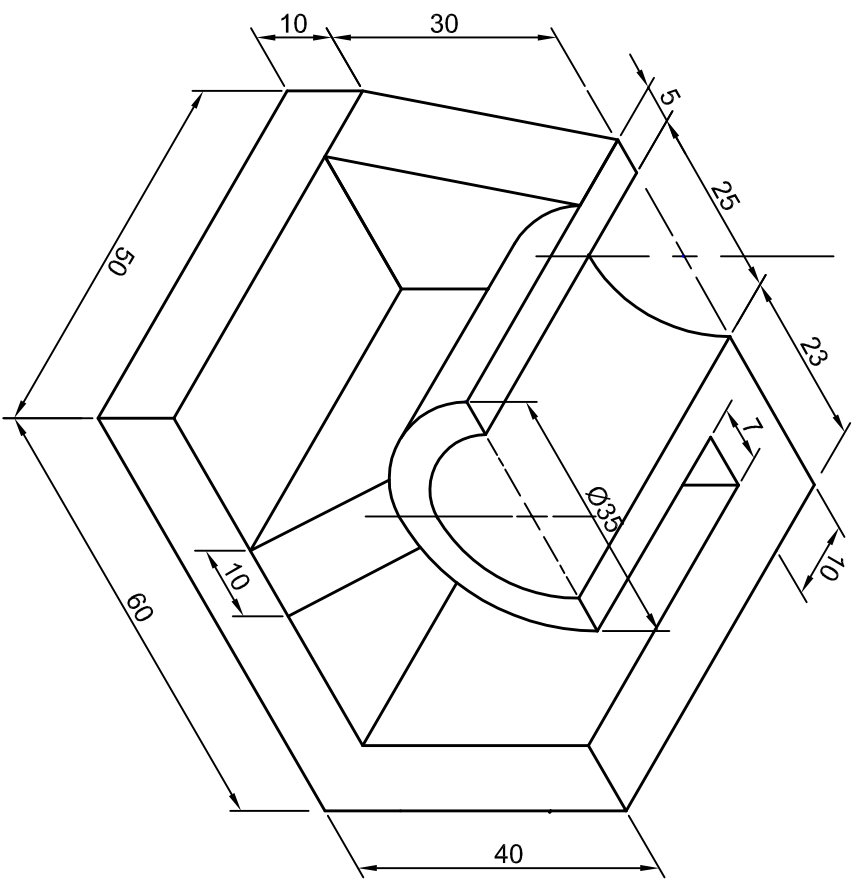
QUESTION ONE

The figure below is a pictorial view of a
ROLLER SUPPORT

Study the drawing carefully and then COPY
the drawing to the **scale 2:1** using
instruments.

Show ALL construction lines and centre lines.
Do not show hidden detail.

START AT THE GIVEN POINT "A"



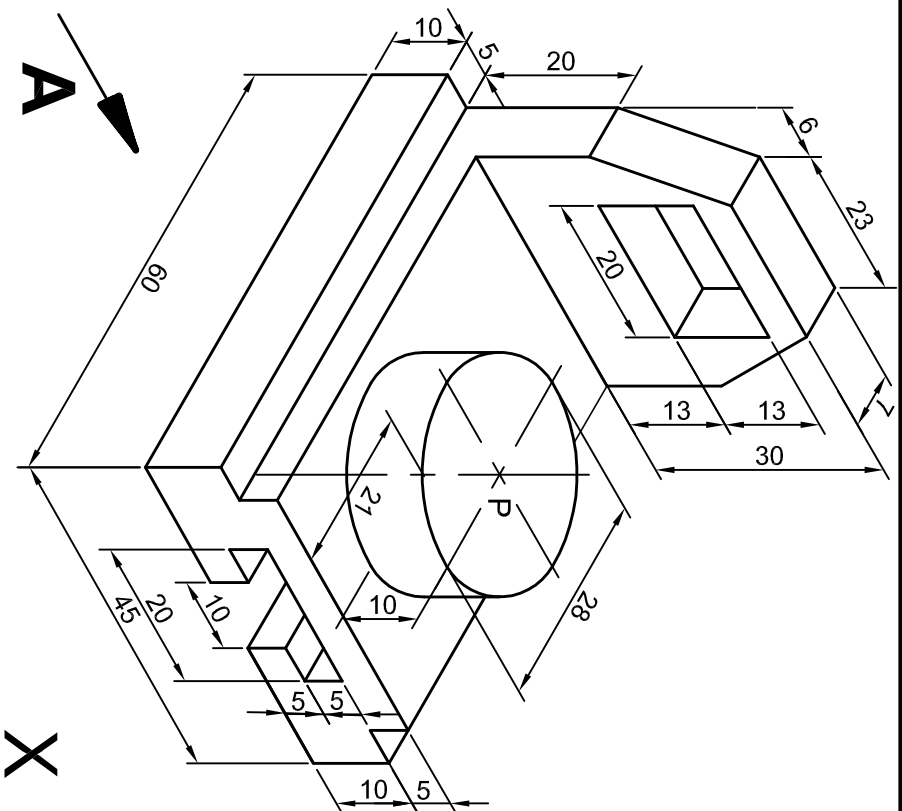
↓
A

- COSTRUCTION OF ISOMETRIC [10]
CIRCLE [10]
ISOMETRIC DRAWING 30/2 = [15]
CENTRE LINES 4/2 = [2]
PRINT TITLE AND SCALE = [3]

TOTAL 30

QUESTION **1** 40 MARKS

NAME:	
GRADE:	



QUESTION TWO

The figure above is a pictorial drawing of a GUIDE BRACKET. Do not copy this drawing. Study the drawing carefully and then complete the following in THIRD ANGLE PROJECTION :-

- 2.1. A Front in the direction of arrow A
- 2.2. A Top View (no hidden detail required)
- 2.3. A Right Side View
- 2.4. Print a suitable title
- 2.5. Insert 4 dimensions.

ASSESSMENT CRITERIA

FRONT VIEW	13
TOP VIEW	10
RIGHT VIEW	22
CENTRE LINES	2
PRINTING AND DIMENSIONING	3

P

X₁

Y

Y₁

QUESTION 2 50 MARKS

NAME:
GRADE: