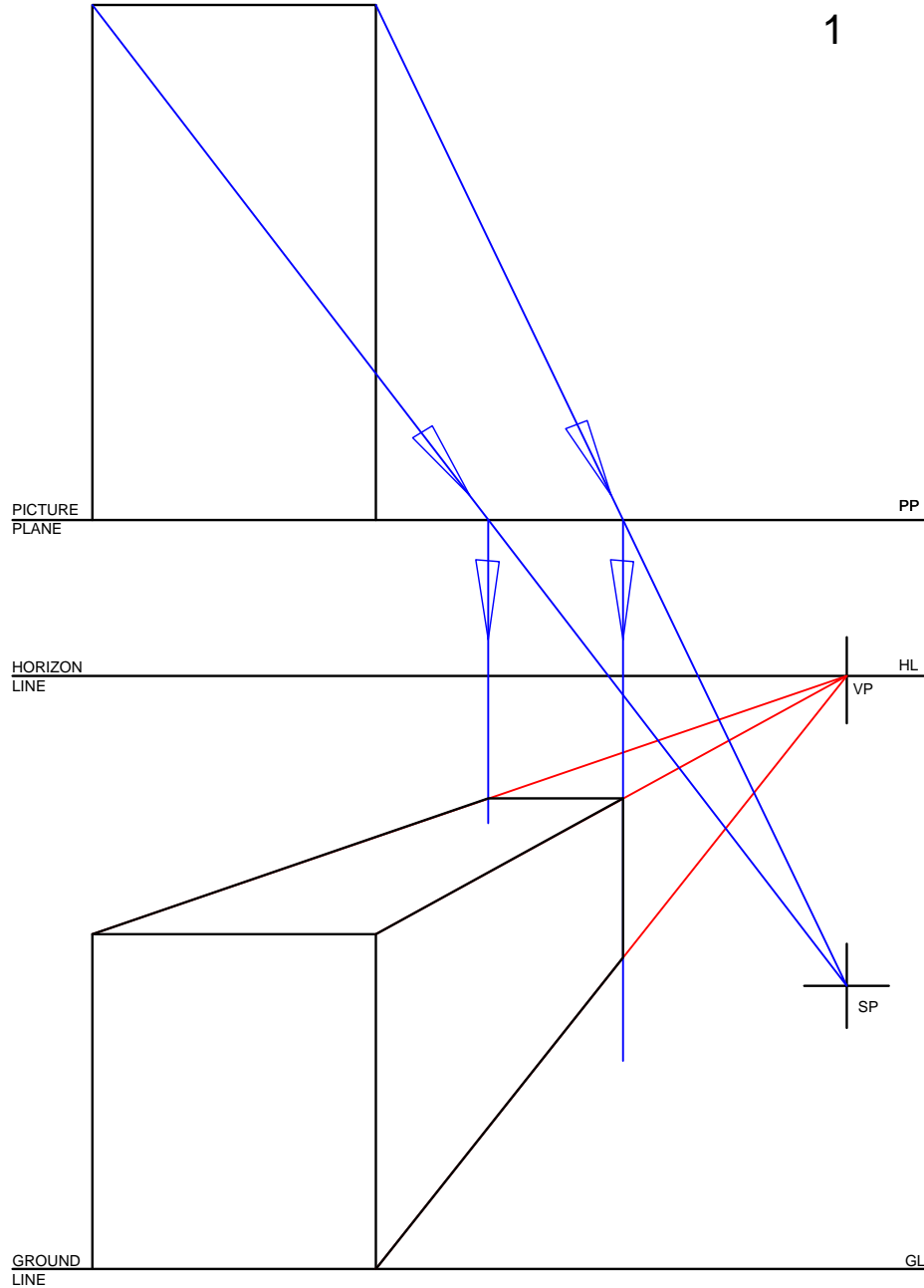
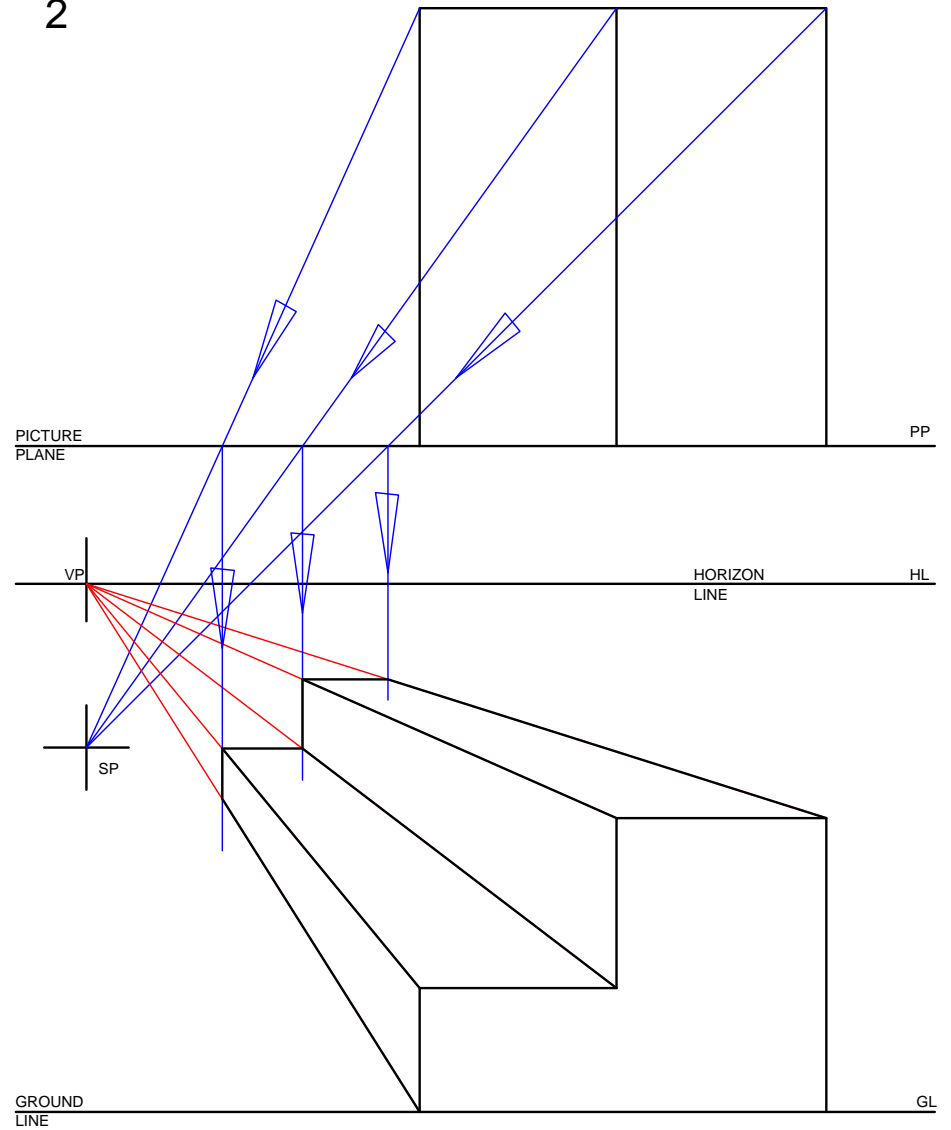


1



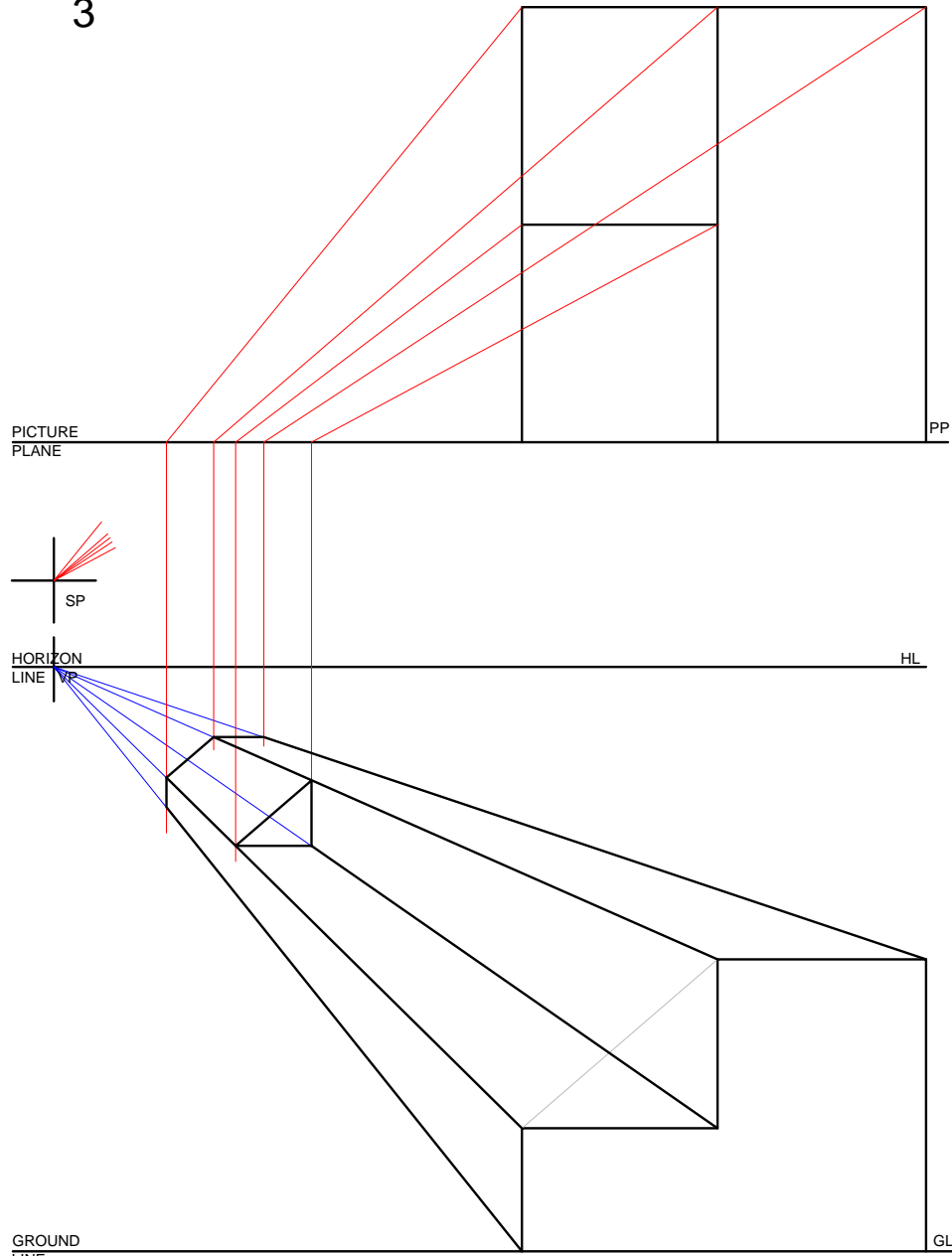
2



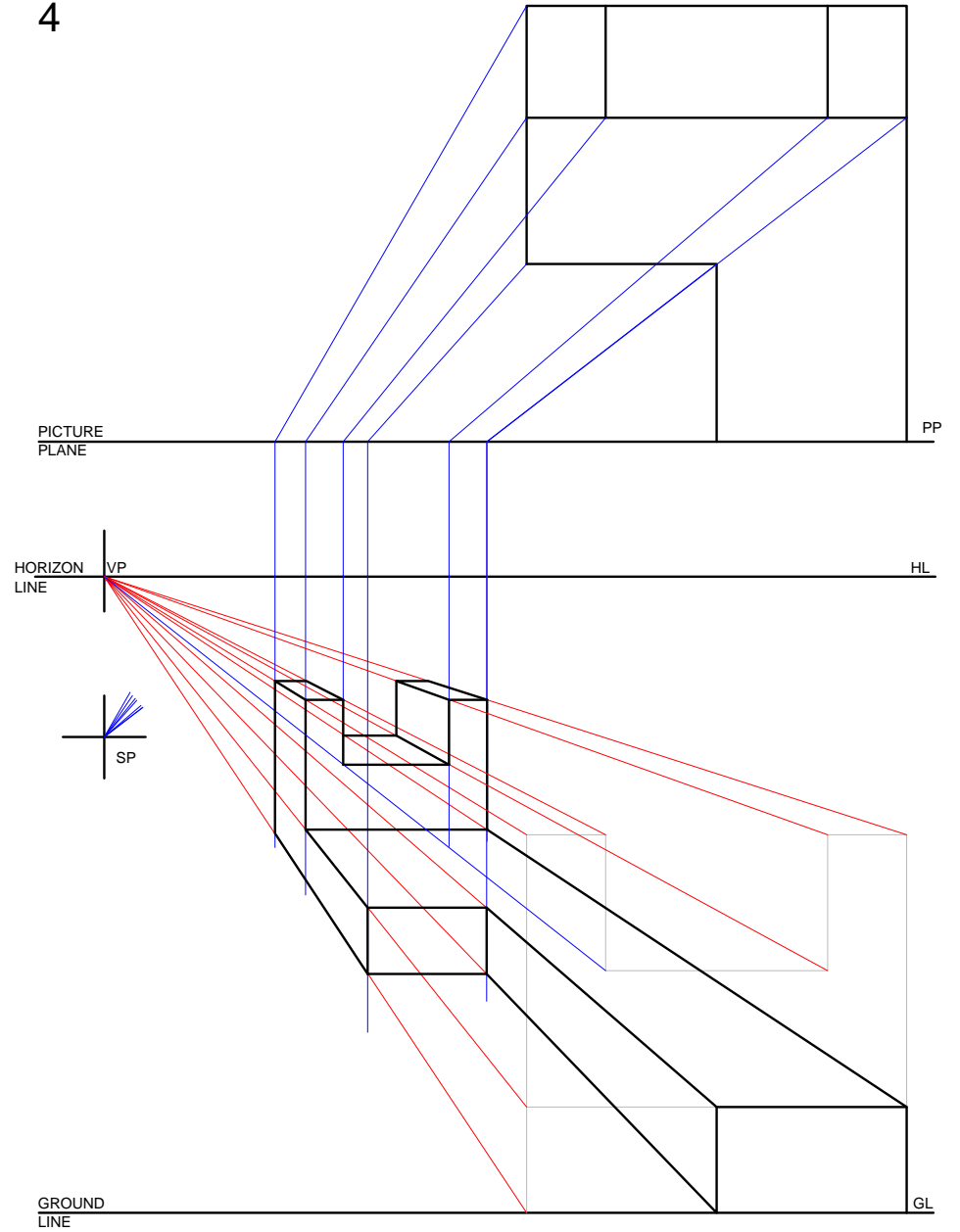
NAME:

GRADE:

3



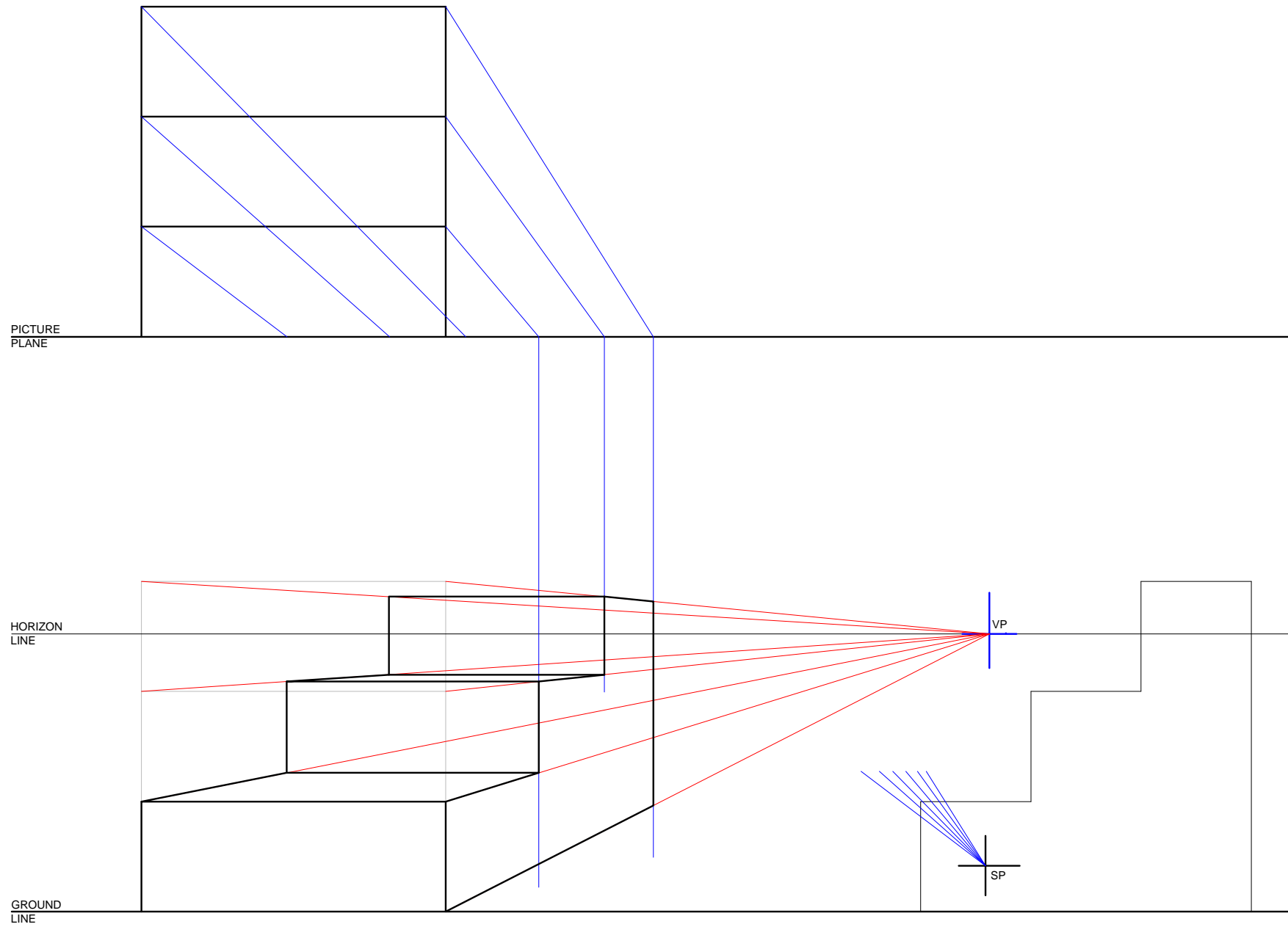
4



NAME:

GRADE:

5



PICTURE  
PLANE

HORIZON  
LINE

GROUND  
LINE

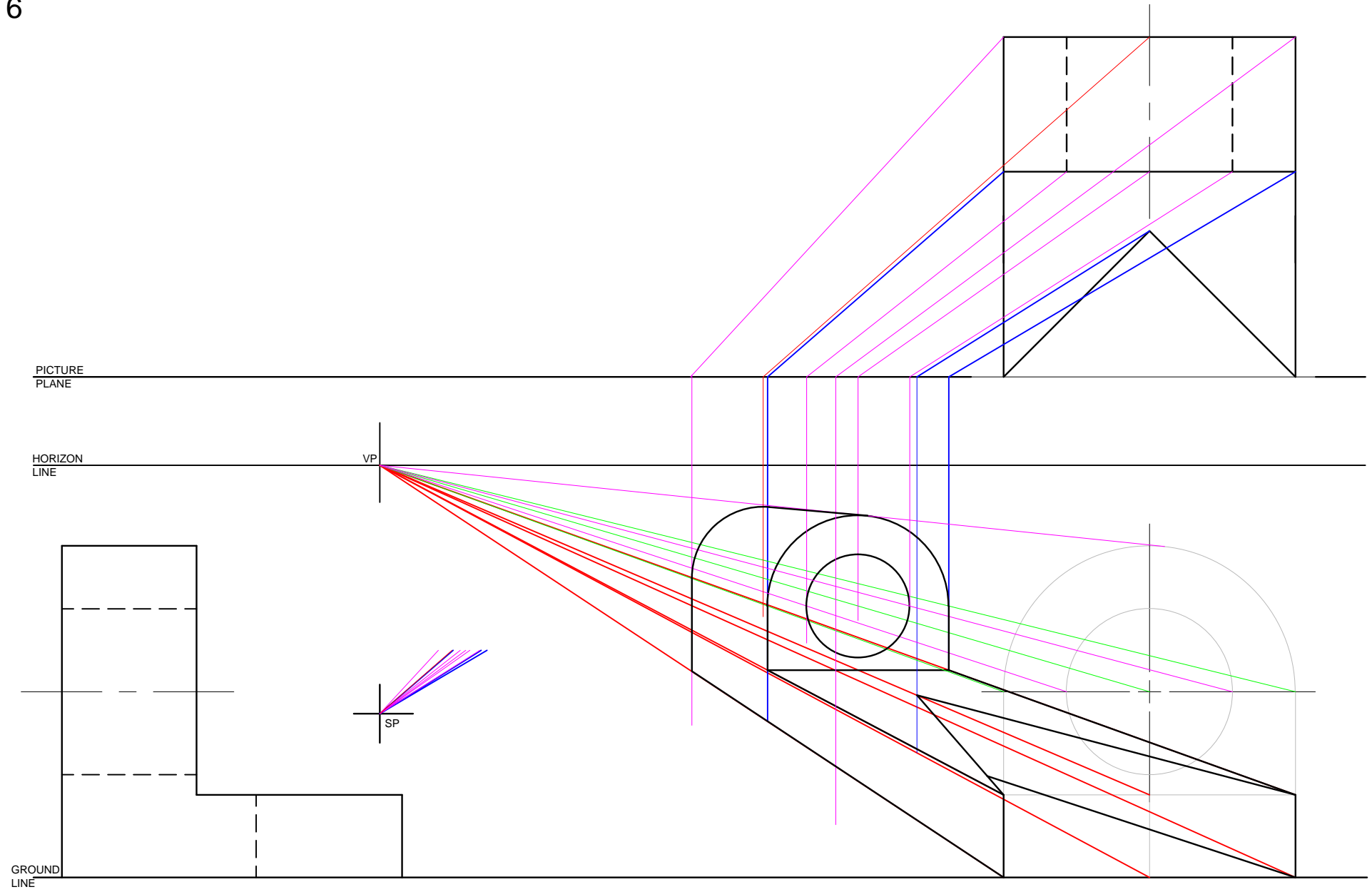
VP

SP

NAME:

GRADE:

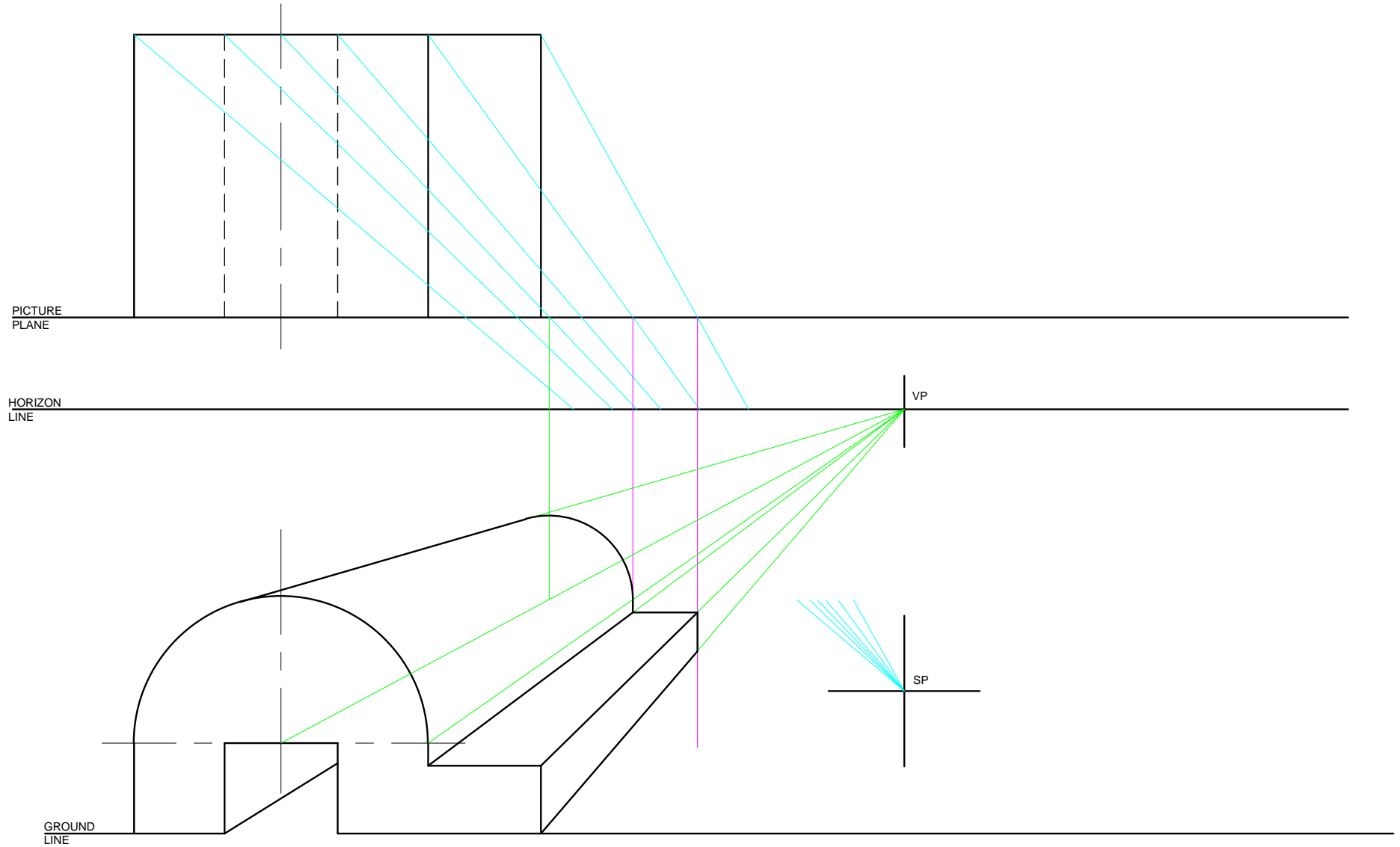
6



NAME:

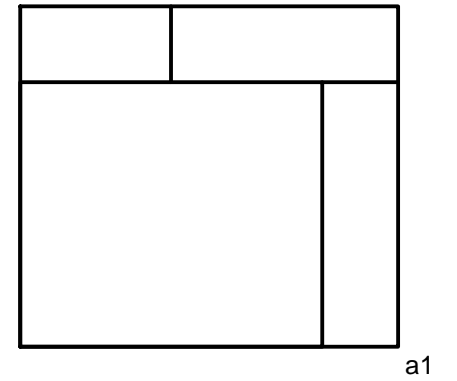
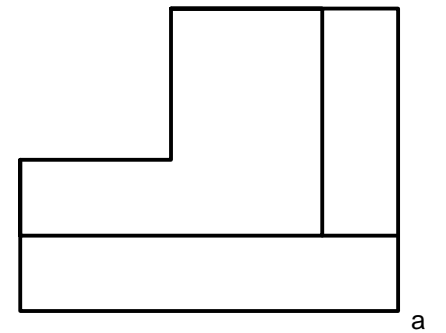
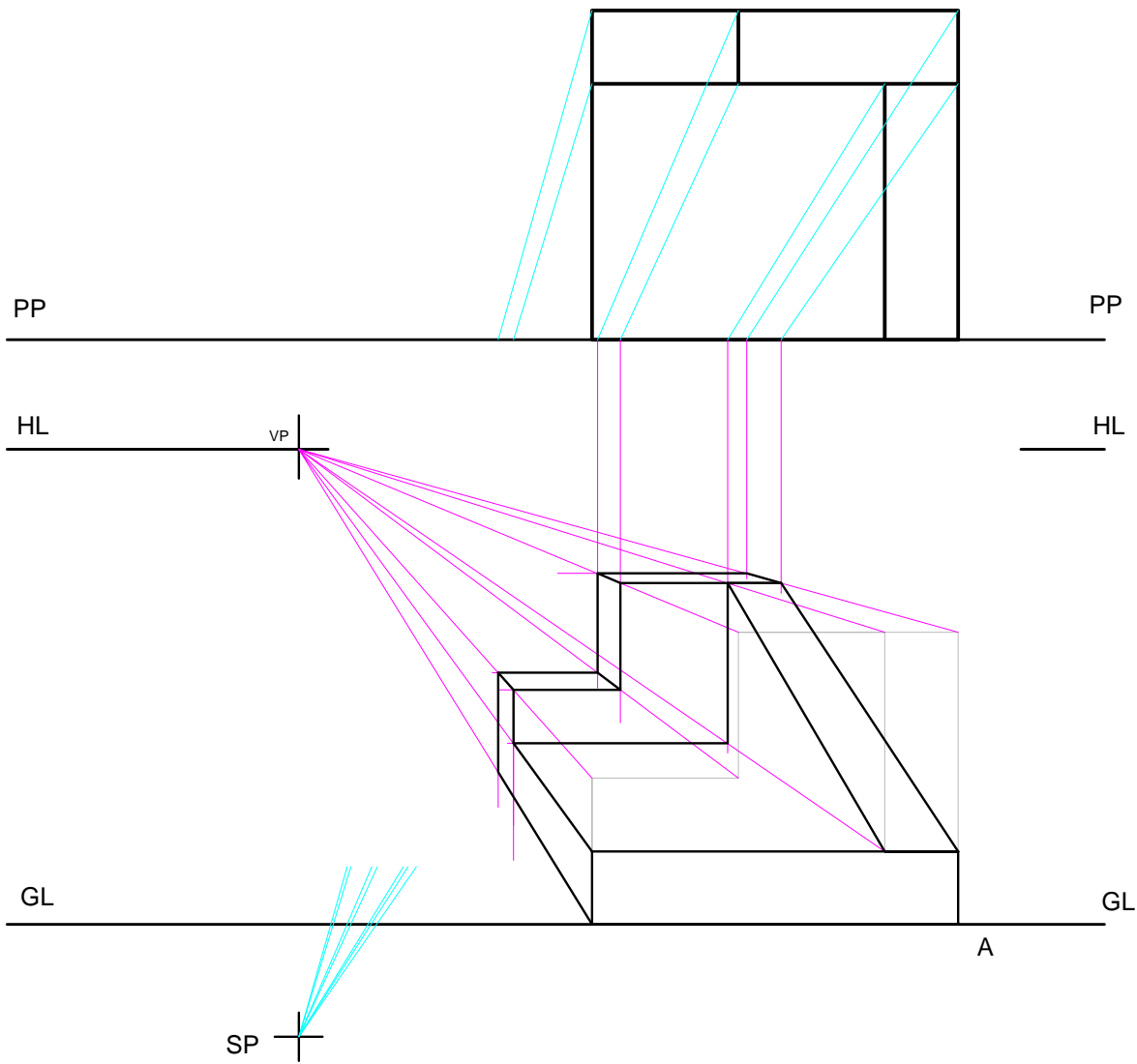
GRADE:

7



NAME:

GRADE:

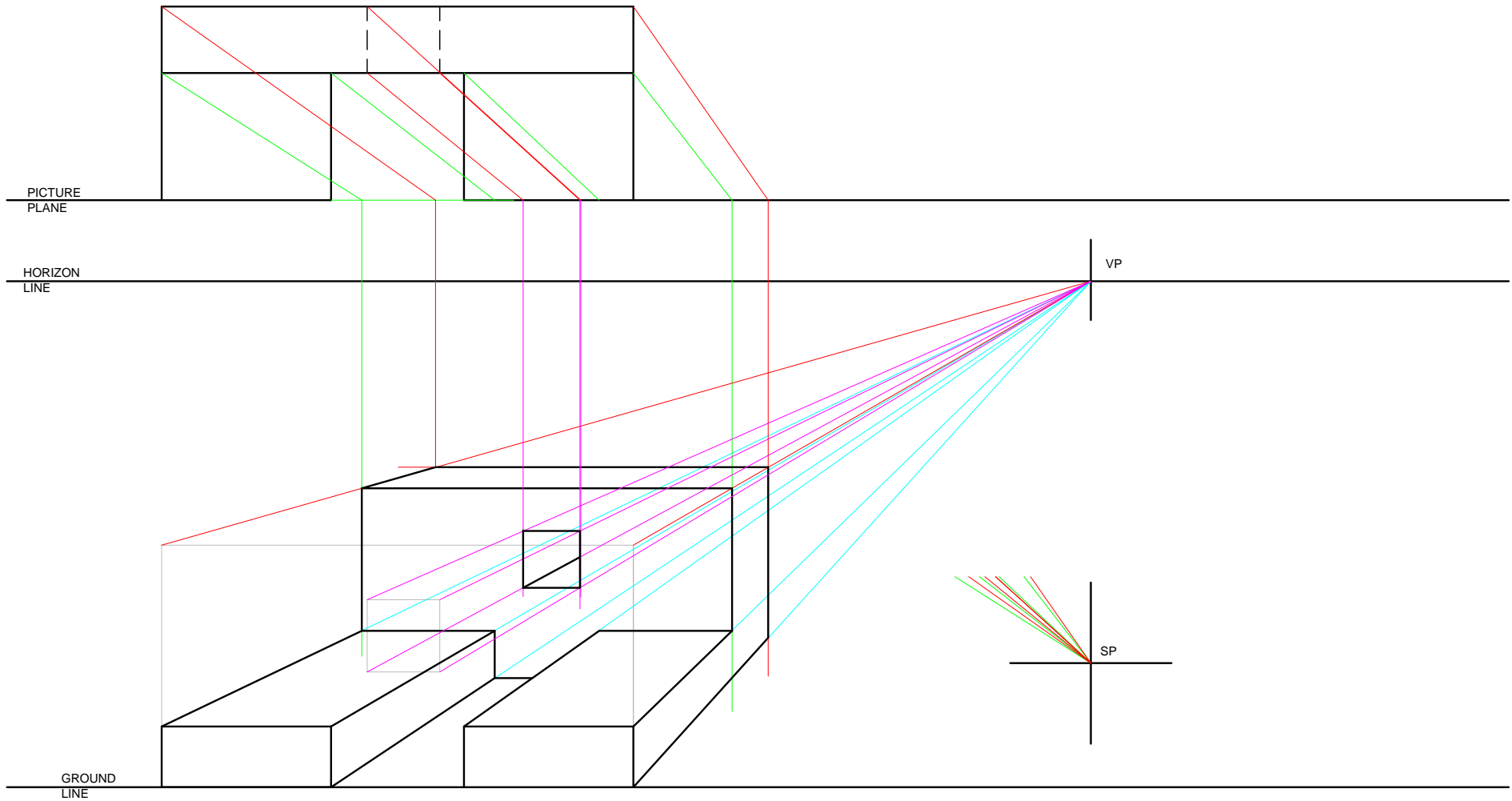


- a. Determine the vanishing point (VP).
- b. Draw the one point perspective of the structure.

NAME:

GRADE:

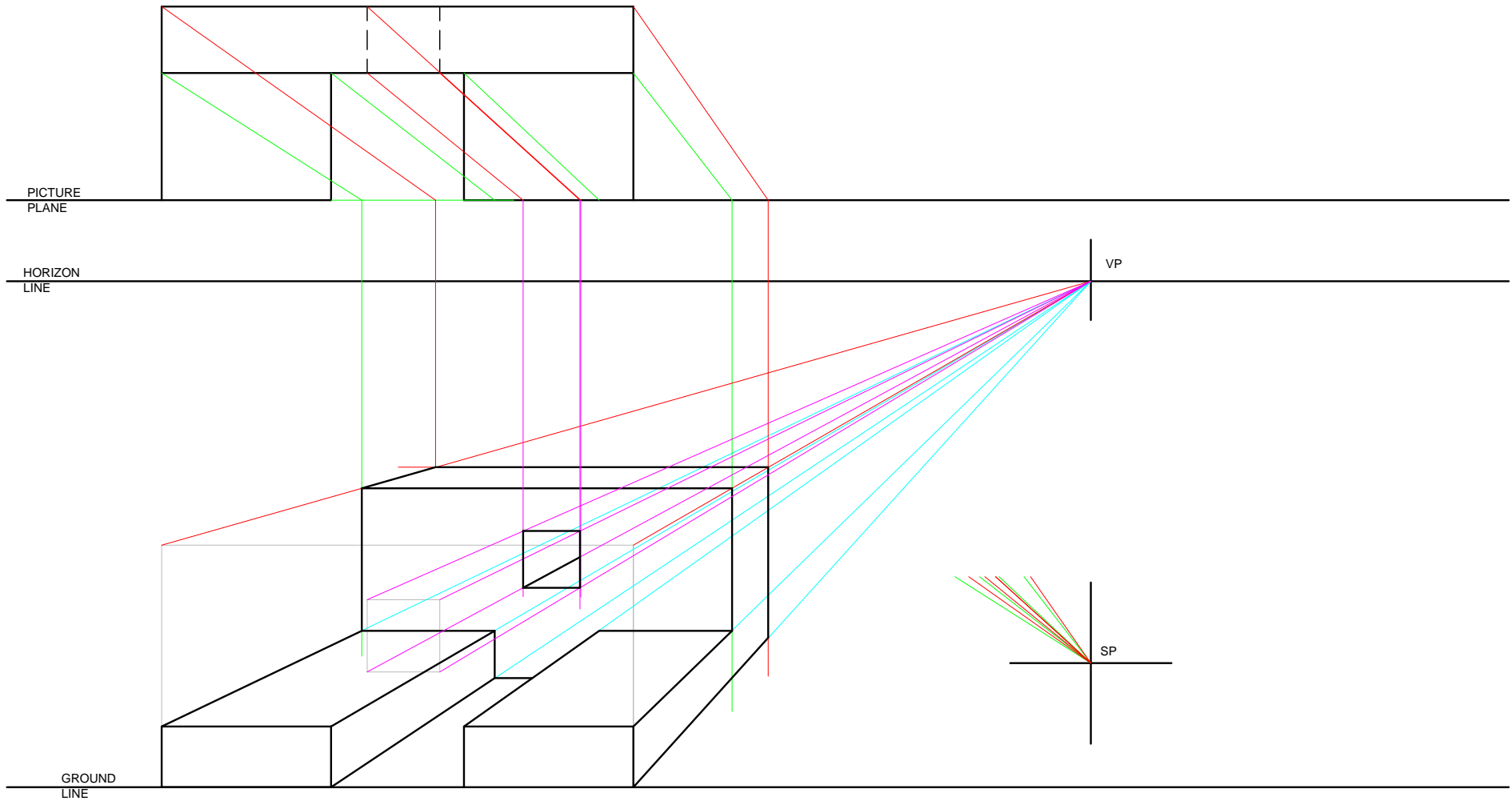
9



NAME:

GRADE:

9



NAME:

GRADE:



